

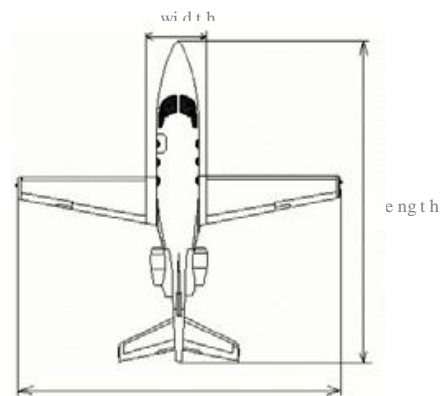
# BeeBee Jet by Gustintaero



We offer you completely restored mock-up jet in scale 1:1. It looks absolutely real and it is hard to recognize it from real one for trained pilots. This plane is perfect for your photo shoots, movies, parties or all other purposes. The great feature of this mock-up is that the mock-up can be bring to locations and places which are very difficult or sometimes impossible to get for regular plane (roads, bridges, buildings, desert, etc.). The real **advantage of this jet is that the wings can be easily folded and the mock-up can be loaded on trailer and legally hauled.** It still meets all requirements for towing of regular load. The next advantage is 2 to 3 times lower cost and liability than at real plane of this size

## Specification:

- Dimensions:
  - o Span: 28 ft 7 in
  - o Width: 8ft
  - o Length: 31ft 4 in
  - o Passenger cabin width: 3 ft 4.5 in
  - o Passenger cabin height: 3 ft 6 in
  - o Passenger cabin length: 7 ft 9 in
- Able to taxi (electric drive)
- Interior illuminated with halogen spotlights
- Functional exterior lights like real airplane (strobe lights, navigation and landings lights, etc.)
- Illuminated instrument panel (gauges in still position, instrument panel monitors projecting images and movies from DVD players.)
- Furnishings can be easily changed or altered
- Easy to move, removable wings, tail wings and engines



At this moment we are not able to provide transportation for you, but we can provide you the contacts and details for towing support. This unique jet is ready to meet your destination anytime.

For additional information and details please call or visit our website.

## Contact:

Phone: 818-890-5983 (Gustintaero Aircraft Interiors & Design/ Tom)

Email: [info@gustintaero.com](mailto:info@gustintaero.com)

Website: [www.gustintaero.com/bbjet.htm](http://www.gustintaero.com/bbjet.htm)

